



# keonn

RFID  
Systems

## AdvanTrack-500™

Overhead inventory system





### Benefits:

- Persistent, accurate, and automated inventory
- Reduction of stock-outs
- Shrinkage reduction
- Higher control of assets

### Applications:

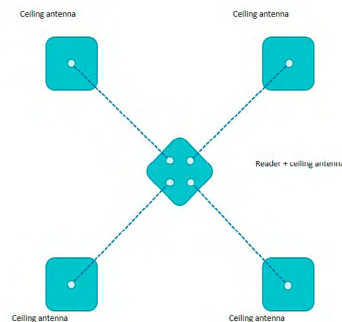
- Retail stores
- Hospitals
- Low height warehouses
- Tool storage facilities
- Asset tracking in offices/labs

### Product overview

AdvanTrack-500 is an RFID-based system that provides **inventory in real time** of all tagged items in a given space. Examples of such spaces are retail stores, small warehouses, hospital areas, etc.

AdvanTrack-500 uses overhead antenna+reader systems that scan the area below them identifying the RFID tags.

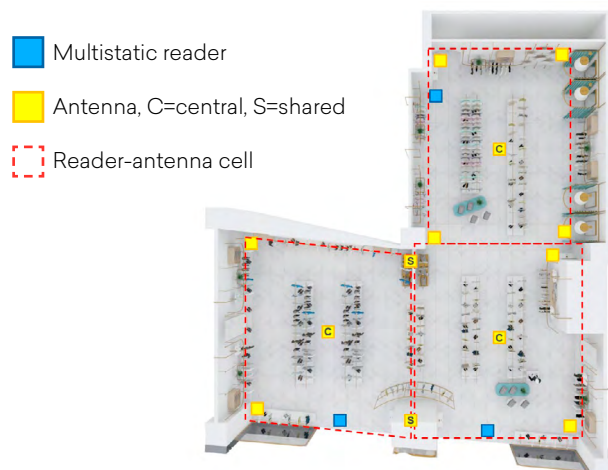
AdvanTrack 500 configuration is based on cells where each cell comprises five antennas connected to a reader.



Each cell covers an area between 40 m2 and 80 m2 depending on the tag density.

The antennas have **circular polarization**, which makes the read rate less dependent on the orientation of the tags versus the antennas.

By providing real time inventory, AdvanTrack-500 allows retailers to increase on shelf availability, sales and customer satisfaction as well as reduce time and workload of inventory cycle counts. This may lead to more satisfied customers and more productive employees.



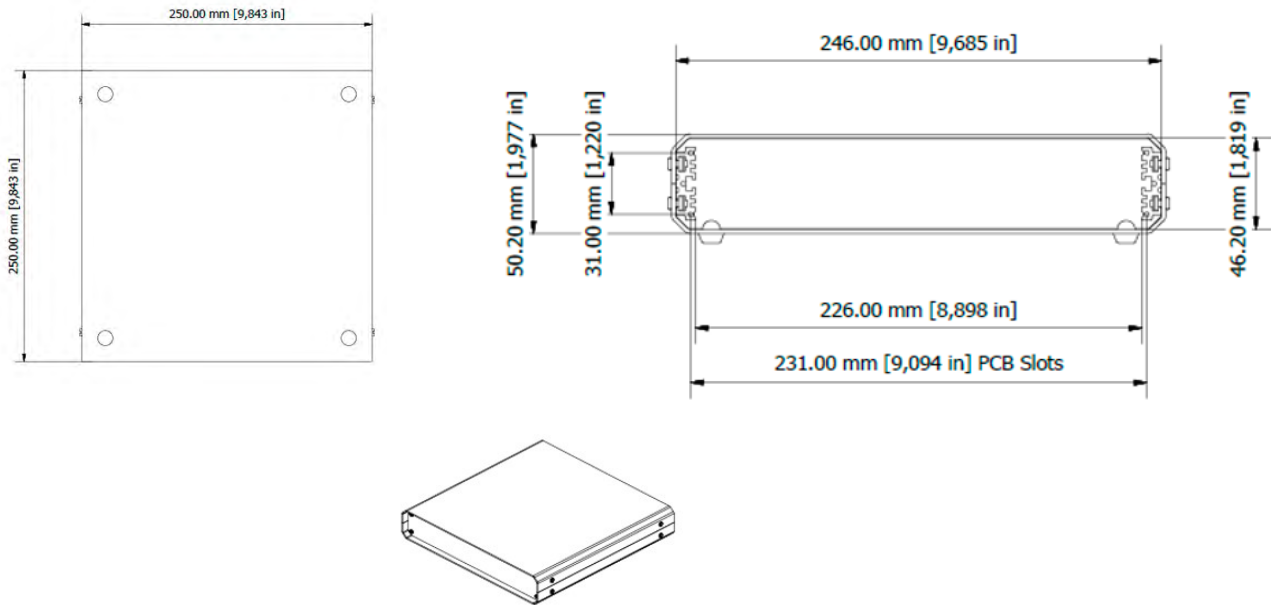
### Technical specifications



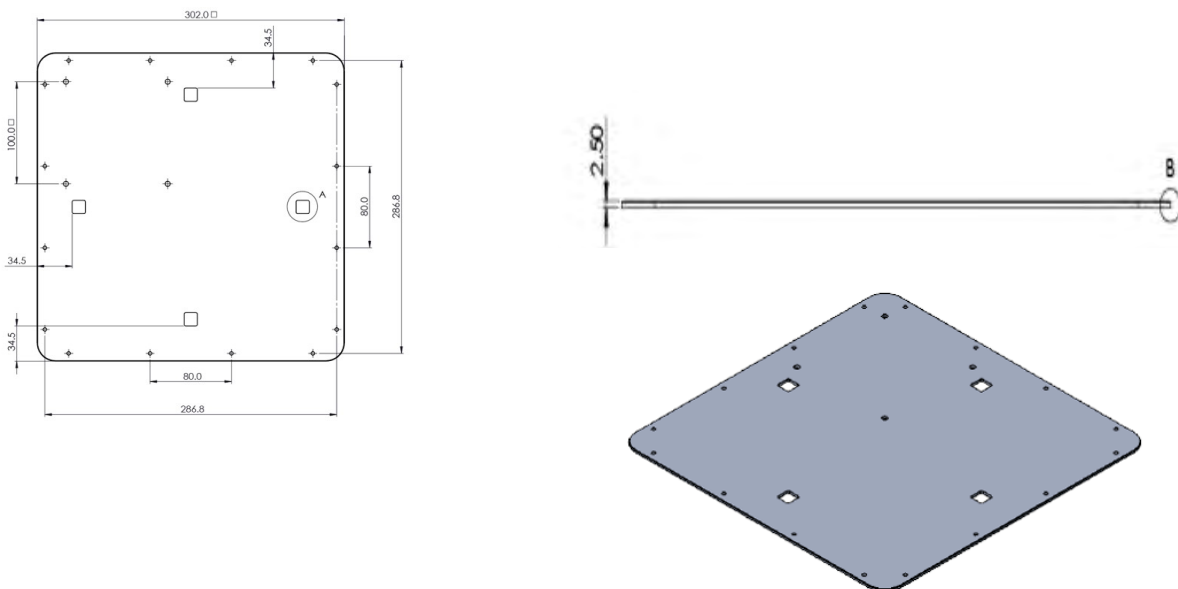
Operating Frequency	860-950 MHz depending on the country
RF Power output	Up to 2-4 W Maximum power may have to be reduced to meet regulatory limits
Standard Compliance	EPC Class1 Gen2 UHF (ISO 18000-6C)
Antenna gain	5-7 dBic
Beamwidth	70° / 90°
Polarization	Right Hand Circular Polarization
Input impedance	50 Ohms
VSWR	1.5:1
Controller sensitivity	-100dBm
Data and control interface	RJ45 (10/100 Base-T Ethernet)
Power supply	100-240VAC to 24VDC 3A or 4.17A via external universal power supply
Temperature range	Antennas: -20°C to +30°C Reader: 0°C to +30°C
Antenna dimensions	305mm x 305mm x 10mm
Antenna weight	1.35 kg
Reader dimensions	250mm x 250mm x 50mm
Reader weight	1.35 kg

### Mechanical specifications

#### Reader



#### Antenna



Units in millimeters and [inches]



Copyright © Keonn Technologies S.L.  
All rights reserved.

Information in this publication  
supersedes all earlier versions.  
Specifications subject to change  
without notice.

