



keonn RFID
Systems

AdvanPay-10™

RFID UHF reader with
confined reading area



[Video](#)

Benefits:

- Highly controlled reading area
- Easy installation and monitoring
- The most cost-effective POS
- For retailers:
 - Queues reduction, thanks to a much faster payment process
 - Improved customer shopping experience, derived from a shorter payment time
 - Reduction in employee costs
 - Simultaneous item detection and EAS flag activation/deactivation

Applications:

- Points of sales
- Registering at events
- Document and product tracking
- RFID writing
- Verification of tagged items

Product overview

AdvanPay-10 is an RFID high performance reader that integrates an antenna with a highly confined reading area.

This RFID point of sale reader provides a solution with the minimum cost. AdvanPay-10 is the most cost-effective model of the AdvanPay family.

AdvanPay-10 requires an external point of sale computer for receiving and sending data. It does not include an on-board computer as AdvanPay-120 and AdvanPay-170.

AdvanPay-10 is available in two different models:

- Flush mount
- Desktop mount



Main characteristics

AdvanPay-10 has a **highly confined reading area**, even with far field RFID tags. It only reads the tags that are placed slightly above its surface, which avoids reading unwanted RFID tags.

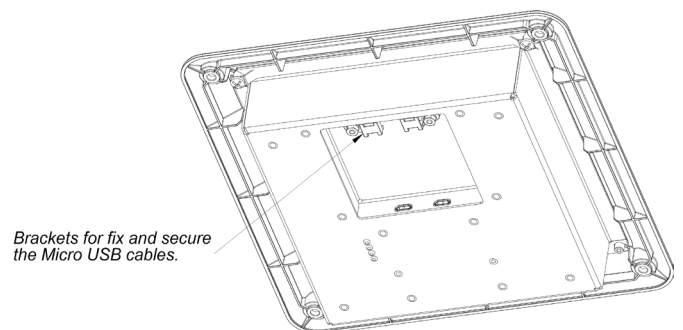
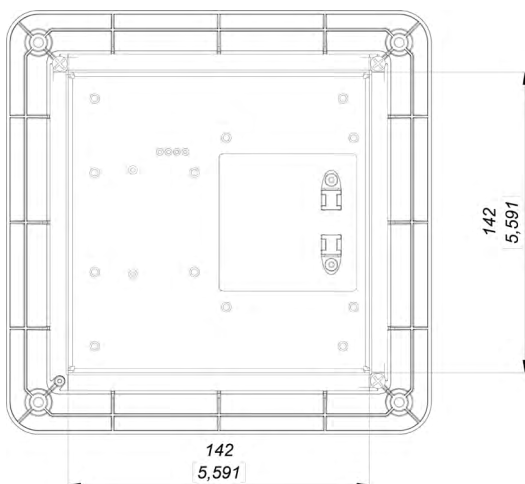
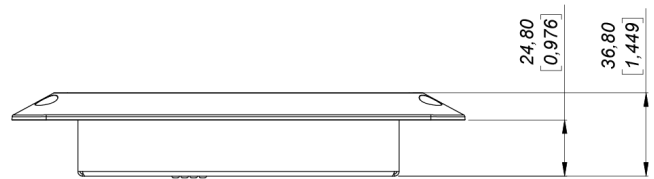
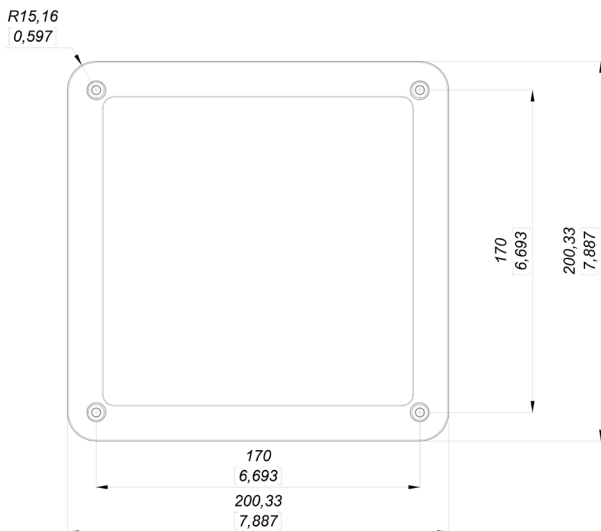
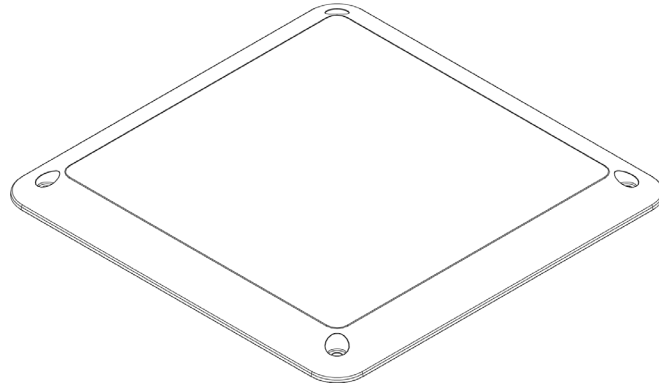
AdvanPay-10 can be used together with AdvanSafe, AdvanMat or AdvanGate to provide a **complete loss prevention system** fully based on RFID UHF.

Radiofrequency specifications

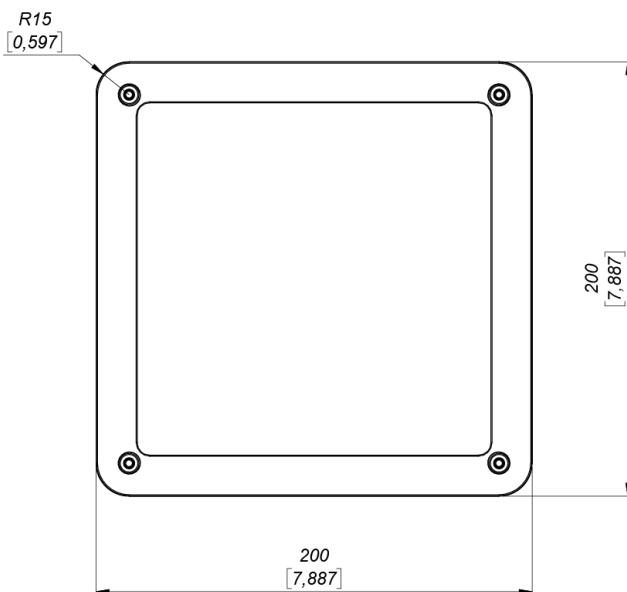
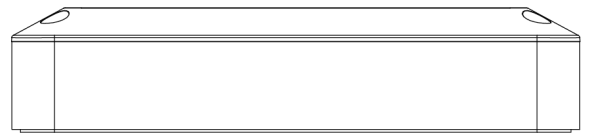
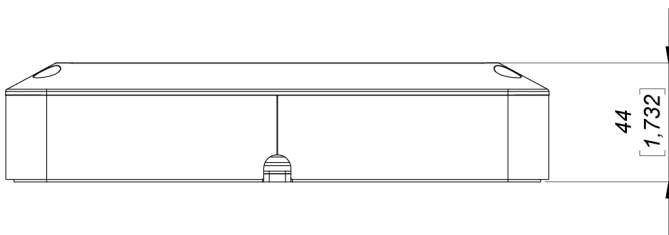
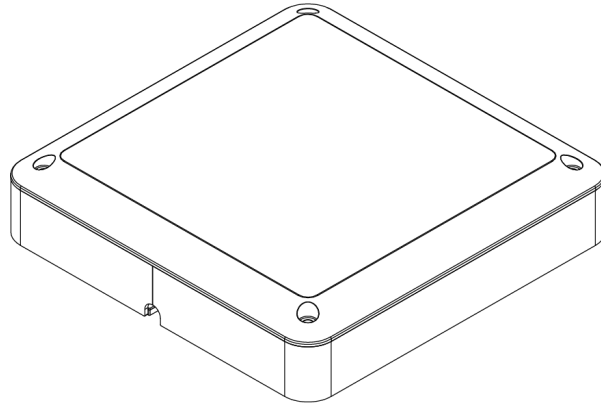


Air Protocol Interface	EPCglobal UHF Class 1 Gen 2 / ISO 18000-6C
Frequency	<p>FCC (NA, SA) (917.4 – 927.2) MHz ETSI (EU) (865.6 - 867.6) MHz TRAI(India) (865 - 867) MHz KCC (Korea) (917 – 923.5) MHz MIC (Japan) (916.9 – 923.4) MHz ACMA (AU) (920 – 926) MHz NZ (New Zealand) (922 - 927) MHz SRRC-MII (P.R.China) (920.125 – 924.875) MHz MY (Malaysia) (919.0 – 923.0) MHz ID (Indonesia) (923.0 – 925.0) MHz PH (Philippines) (918.0 – 920.0) MHz TW (Taiwan) (922.0 – 928.0) MHz MO (Macao) (920.0 – 925.0) MHz RU (Russia) (866.0 – 868.0) MHz SG (Singapore) (920.0 – 925.0) MHz VN (Vietnam) (866.0 – 869.0) MHz TH (Thailand) (920.0 – 925.0) MHz AR (Argentina) (915.0 – 928.0) MHz HK (Hong Kong) (865.0 – 868.0) MHz BD (Bangladesh) (925.0 – 927.0) MHz Brazil (917.4 – 927.2) MHz by using channel selection Chile(916 – 928) MHz by using channel selection Peru (917.4 – 927.2) MHz by using channel selection Taiwan (922.600 – 927.2) MHz by using channel selection Open Region (859 – 873) MHz and (915 – 930) MHz (by using channel selection)</p>
RF Power	Programmable from 0 dBm to +27 dBm in 0.5 dBm steps
RF Antenna	Integrated circular polarized antenna. RF field is confined to avoid reading unwanted tags.
Data communications	Serial over USB USB power connector (micro-B) Communications uses RS232 over USB (FTDI chip)
Power supply	<p>USB power connector (micro-B) The USB data connector is the primary power supply source (USB 2.0 host devices should offer a maximum of 500 mA, and 500 mA it is not enough to conduct RF power higher than 18 dBm / 20 dBm. However, some hardware USB ports may supply more than 500 mA, and whenever that available current is 1 A or higher, this is enough to conduct the maximum RF power -27 dBm-) Avoid cables with high losses:</p> <ul style="list-style-type: none"> • Very long cables • Cables with very high AWG <p>USB power connector (micro-B) In case the USB data connector does not provide enough power for the reader to work, the USB power connector can be used.</p> <p>When the USB power connector is used, the available power of the reader is only due to the available power at the USB power connector. When using the USB power connector, make sure to supply all required power on the USB power connector.</p>
Power consumption	Idle consumption < 1 W Max RF consumption (@27 dBm) < 4.5 W
Temperature range	-20 °C to +50 °C
Dimensions (flush mount)	200 x 200 x 36,80 mm (7.89 x 7.89 x 1.45 inches)
Dimensions (desktop mount)	200 x 200 x 44 mm (7.89 x 7.89 x 1.73 inches)
Weight (flush mount)	475 g (1.047 lb)
Weight (desktop mount)	780 g (1.720 lb)

Mechanical specifications:
Flush mount



Units in millimeters and [inches]

Mechanical specifications:
Desktop mount

Units in millimeters and [inches]

Product codes for ordering

ADPY	-	C	M	-	FF	-	mmm	
								C = confined
		C						Confined reading area
								M = mount
			F					Flush mount
			D					Desktop mount
								FF = frequency band
					EU			865,6 MHz - 867,6 MHz
					US			902,0 MHz - 928,0 Mhz
								Model
							10	Model number

Examples:

ADPY-CF-EU-10:

- AdvanPay
- **C**onfined
- **F**lush mount
- Frequency band: 865,6 MHz - 867,6 MHz
- Model 10



Copyright © Keonn Technologies S.L.
All rights reserved.

Information in this publication
supersedes all earlier versions.
Specifications subject to change
without notice.

