



# keonn

Modular RFID  
Components

## AdvanHolder™

Holder for Keonn antennas





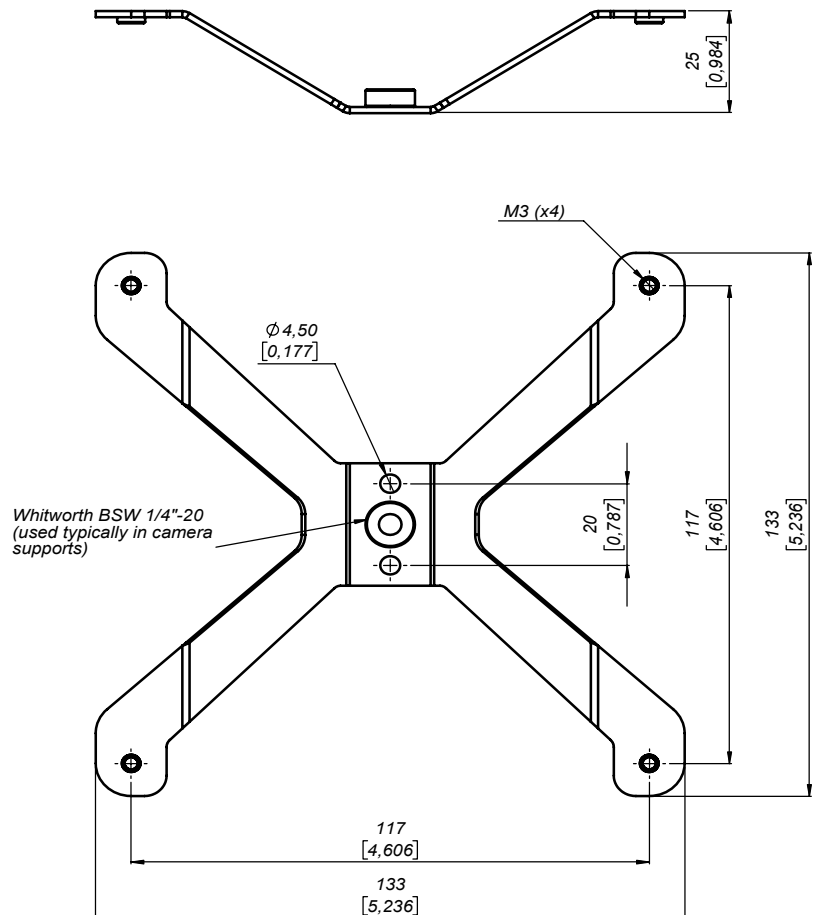
### Benefits:

- Very thin
- Very light
- Easy to mount
- Reduces the time and costs of installation

### Product overview

AdvanHolder-p11™ is an antenna holder designed especially for Advantenna-p11. With its thin and easy to mount profile, AdvanHolder-p11™ offers a new level of comfort in areas previously difficult to accommodate an antenna.

### Mechanical specifications (in millimeters)



Units in millimeters and [inches]



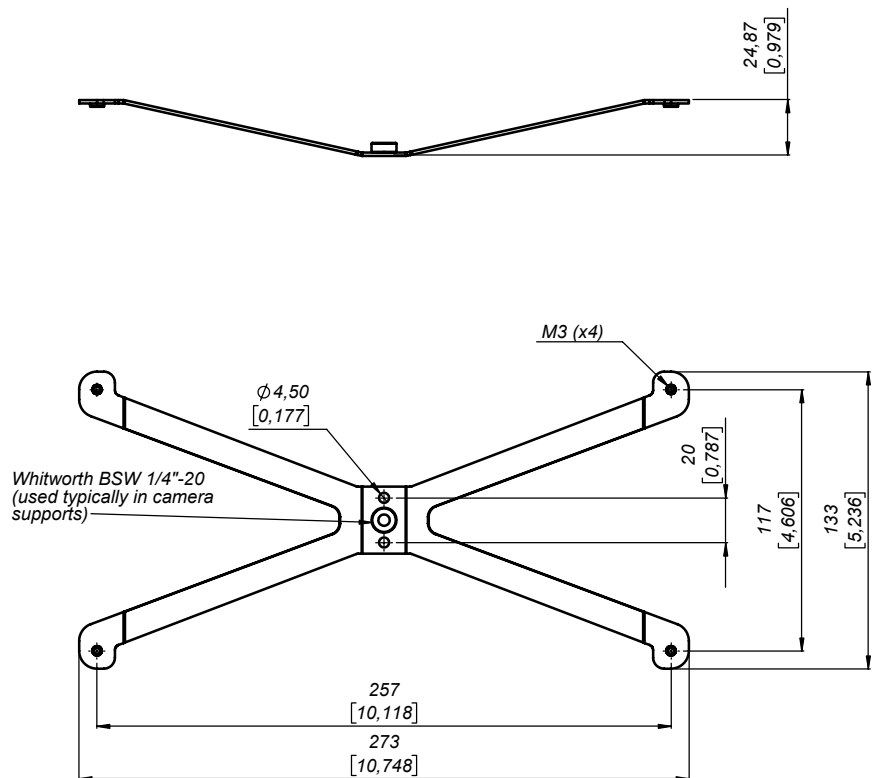
### Benefits:

- Very thin
- Very light
- Easy to mount
- Reduces the time and costs of installation

### Product overview

AdvanHolder-p12™ is an antenna holder designed especially for Advantenna-p12. With its thin and easy to mount profile, AdvanHolder-p12™ offers a new level of comfort in areas previously difficult to accommodate an antenna.

### Mechanical specifications (in millimeters)



Units in millimeters and [inches]



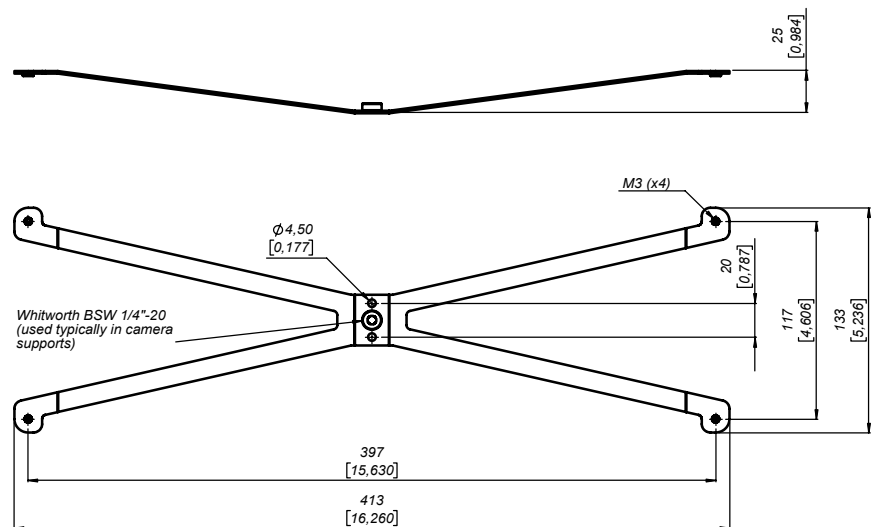
### Benefits:

- Very thin
- Very light
- Easy to mount
- Reduces the time and costs of installation

### Product overview

AdvanHolder-p13™ is an antenna holder designed especially for Advantenna-p13. With its thin and easy to mount profile, AdvanHolder-p13™ offers a new level of comfort in areas previously difficult to accommodate an antenna.

### Mechanical specifications (in millimeters)



Units in millimeters and [inches]



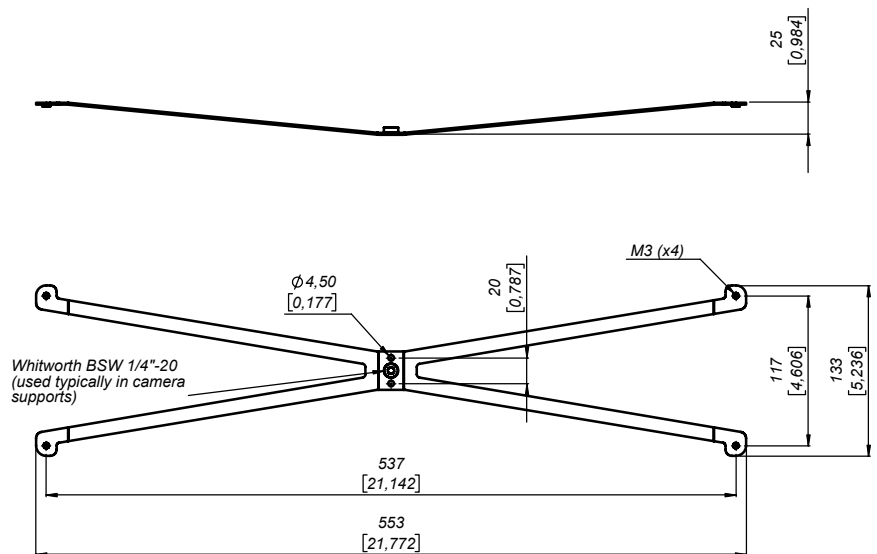
### Benefits:

- Very thin
- Very light
- Easy to mount
- Reduces the time and costs of installation

### Product overview

AdvanHolder-p14™ is an antenna holder designed especially for Advantenna-p14. With its thin and easy to mount profile, AdvanHolder-p14™ offers a new level of comfort in areas previously difficult to accommodate an antenna.

### Mechanical specifications (in millimeters)



Units in millimeters and [inches]



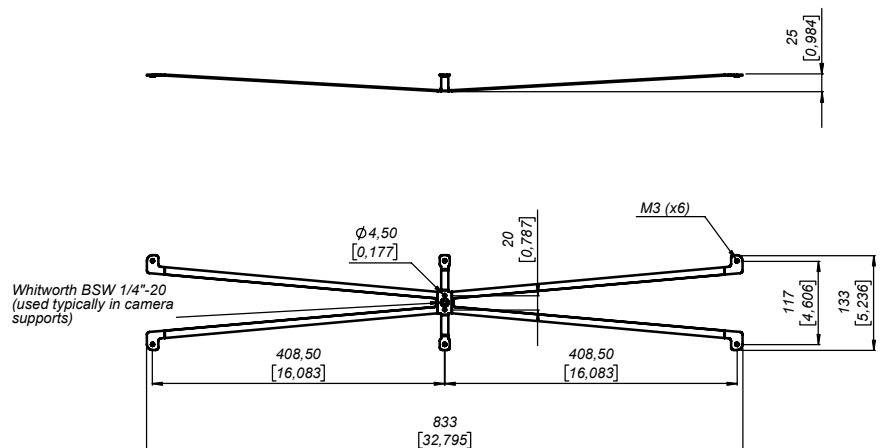
### Benefits:

- Very thin
- Very light
- Easy to mount
- Reduces the time and costs of installation

### Product overview

AdvanHolder-p16™ is an antenna holder designed especially for Advantenna-p16. With its thin and easy to mount profile, AdvanHolder-p16™ offers a new level of comfort in areas previously difficult to accommodate an antenna.

### Mechanical specifications (in millimeters)



Units in millimeters and [inches]



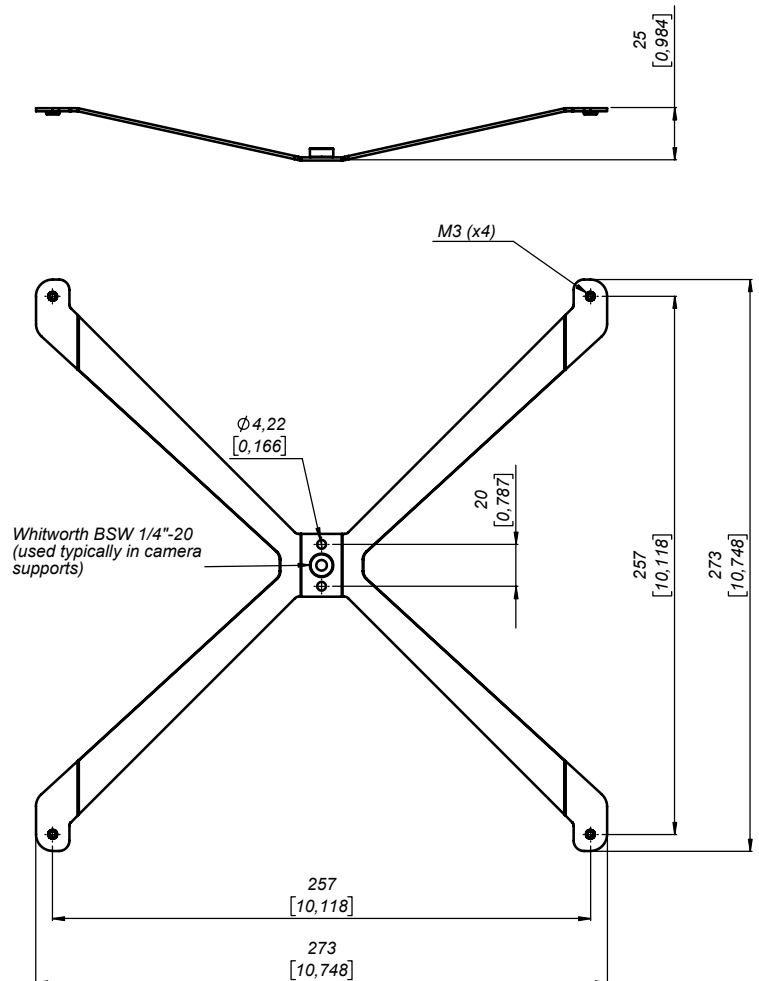
### Benefits:

- Very thin
- Very light
- Easy to mount
- Reduces the time and costs of installation

### Product overview

AdvanHolder-p22™ is an antenna holder designed especially for Advantenna-p22. With its thin and easy to mount profile, AdvanHolder-p22™ offers a new level of comfort in areas previously difficult to accommodate an antenna.

### Mechanical specifications (in millimeters)



Units in millimeters and [inches]



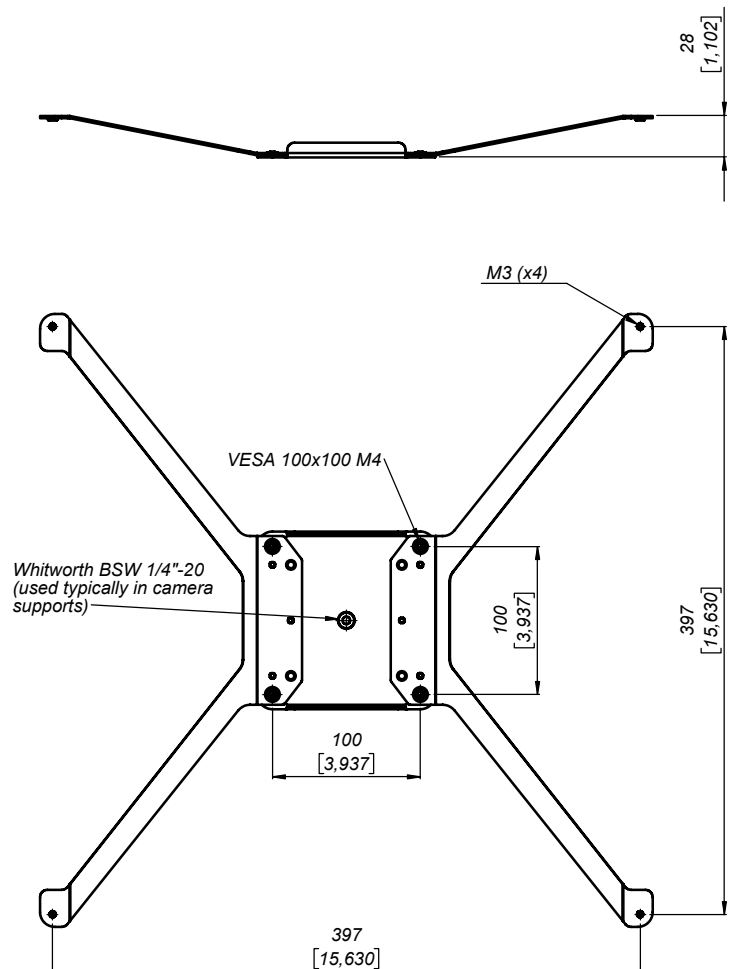
### Benefits:

- Very thin
- Very light
- Easy to mount
- Reduces the time and costs of installation

### Product overview

AdvanHolder-p33™ is an antenna holder designed especially for Advantenna-p33. With its thin and easy to mount profile, AdvanHolder-p33™ offers a new level of comfort in areas previously difficult to accommodate an antenna.

### Mechanical specifications (in millimeters)



Units in millimeters and [inches]





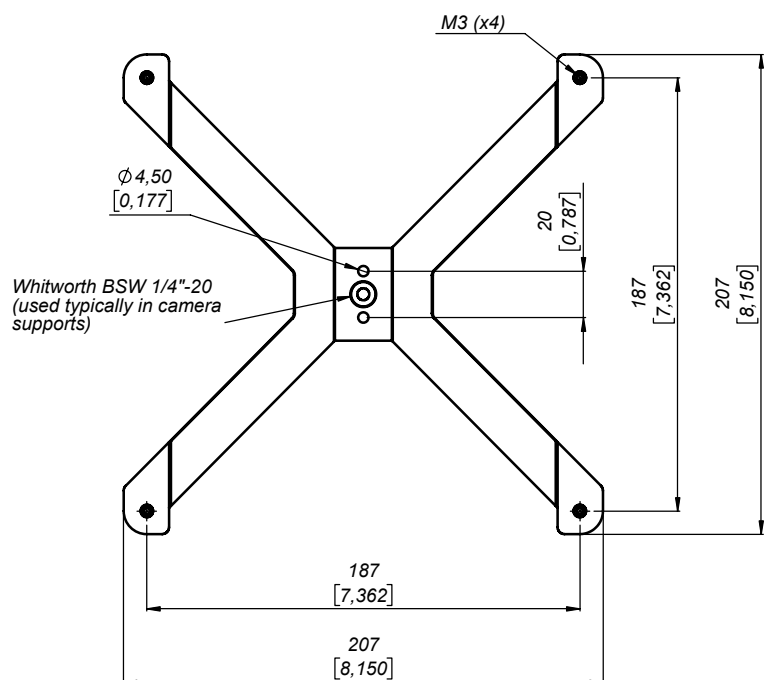
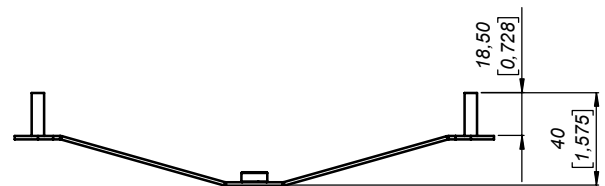
### Benefits:

- Very thin
- Very light
- Easy to mount
- Reduces the time and costs of installation

### Product overview

AdvanHolder-SP11™ is an antenna holder designed especially for Advantenna-SP11. With its thin and easy to mount profile, AdvanHolder-SP11™ offers a new level of comfort in areas previously difficult to accommodate an antenna.

### Mechanical specifications (in millimeters)



Units in millimeters and [inches]



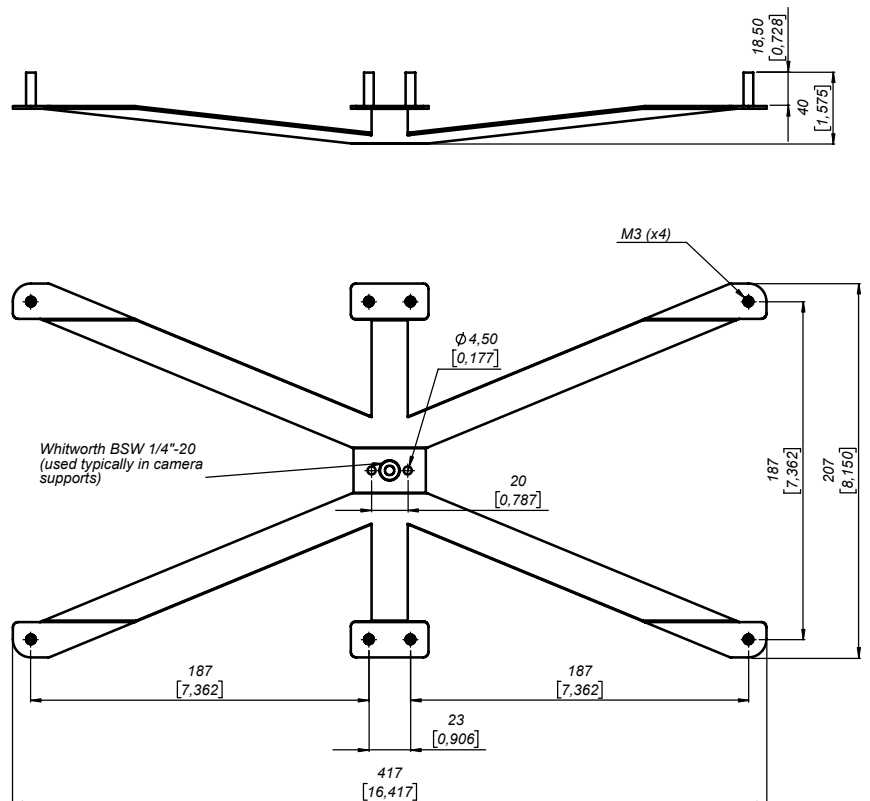
### Benefits:

- Very thin
- Very light
- Easy to mount
- Reduces the time and costs of installation

### Product overview

AdvanHolder-SP12™ is an antenna holder designed especially for Advantenna-SP12. With its thin and easy to mount profile, AdvanHolder-SP12™ offers a new level of comfort in areas previously difficult to accommodate an antenna.

### Mechanical specifications (in millimeters)



Units in millimeters and [inches]



### Benefits:

- Very thin
- Very light
- Easy to mount
- Reduces the time and costs of installation

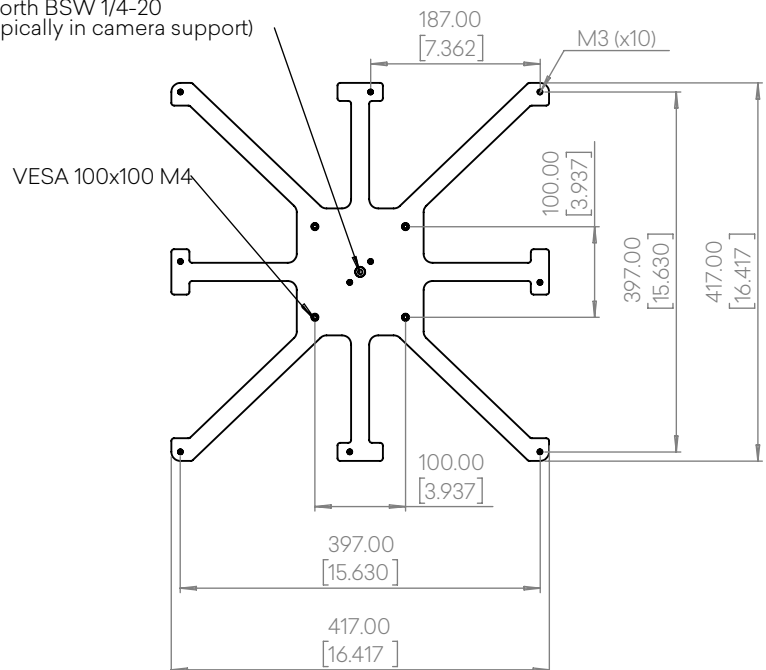
### Product overview

AdvanHolder-SP22™ is an antenna holder designed especially for Advantenna-SP22. With its thin and easy to mount profile, AdvanHolder-SP22™ offers a new level of comfort in areas previously difficult to accommodate an antenna.

### Mechanical specifications (in millimeters)



With worth BSW 1/4-20  
(used typically in camera support)



Units in millimeters and [inches]

## Product codes for ordering

ADHD	-	Antenna	-	S	
					<b>Antenna model</b>
		ADANp11			Advantenna-P11
		ADANp12			Advantenna-P12
		ADANp13			Advantenna-P13
		ADANp14			Advantenna-P14
		ADANp16			Advantenna-P16
		ADANp22			Advantenna-P22
		ADANp33			Advantenna-P33
		ADANSP11			Advantenna-SP11
		ADANSP12			Advantenna-SP12
		ADANSP22			Advantenna-SP22
					<b>S = serie</b>
				100	Serie

Examples:

### ADHD-ADANp11-100.02:

- AdvanHolder
- For Advantenna-P11
- Serie 100

### ADHD-ADAN-SP11-100.01

- AdvanHolder
- For Advantenna-SP11
- Serie 100



Copyright © Keonn Technologies S.L.  
All rights reserved.

Information in this publication  
supersedes all earlier versions.  
Specifications subject to change  
without notice.

