



keonn

Modular RFID
Components

Advantenna-CP11™

High gain antenna





Benefits:

- Can work either as a near-field antenna or a wider range antenna
- Highly controlled reading area
- Cost effective

Applications:

- Payment systems
- Check-in systems
- Access control
- Smart shelves
- Smart panels
- Smart tables
- Smart surfaces in general

Product overview

Advantenna-CP11 is a compact RFID UHF Antenna, with a **highly controlled reading area**, and with circular polarization.

By controlling the power of the RFID reader, the Advantenna-CP11 can work as a near-field antenna, or as a wider range antenna.

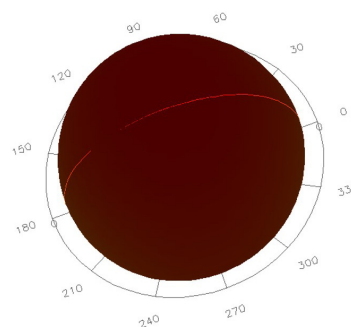
When working as a **near-field antenna**, the reading area can be adjusted to be a few centimeters, **even with far-field tags**.

Advantenna-CP11 can be mounted under the surface of a shelf, table, etc. in order to create RFID applications such as payment systems, check-in systems, access control, smart shelves, smart displays, smart panels and smart tables.

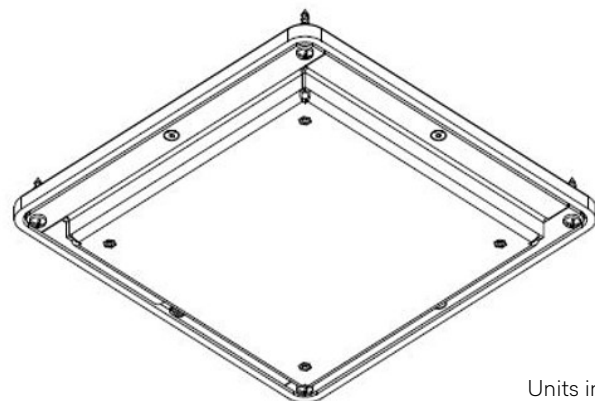
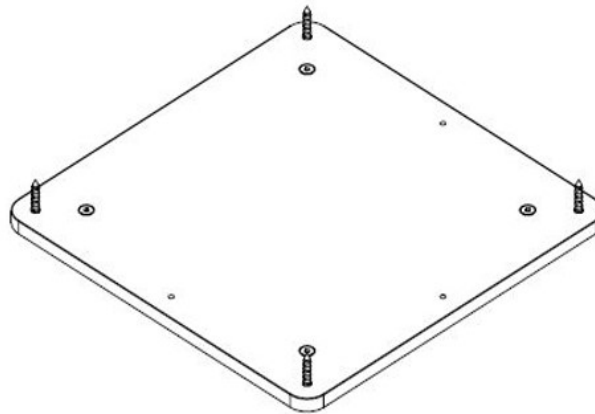
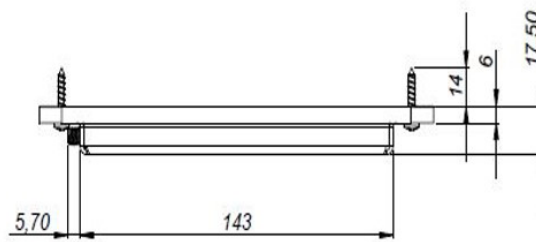
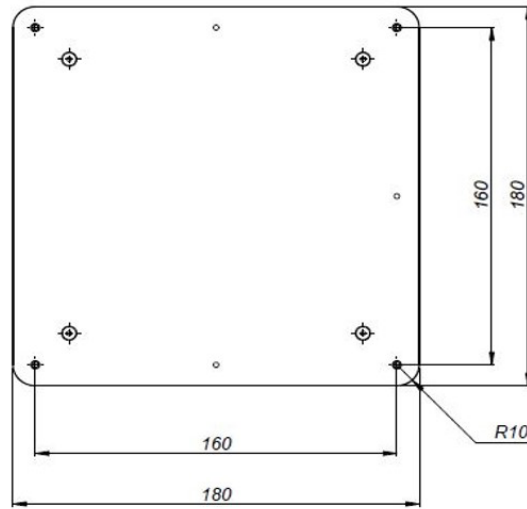
Technical specifications

Operating Frequency EU Version	865 - 868 MHz (ETSI EN 302 208)
Operating Frequency US Version	902 - 928 MHz (FCC part 15)
Operating Detection distance	Up to 3 m (in high power mode)
Radiation pattern	Adjustable
Gain	0.2 dBi
Beam width	120° / 120°
Polarization	Circular
Input Impedance	50 Ω
Connector	SMA
IP rating	IP64 Dust resistant, even in high concentration Resistant to splashing water
Temperature range	-20°C to + 80°C
Size excluding connector	180 mm x 180 mm x 17.5 mm 7 inches x 7 inches x 0.7 inches
Antenna weight	485 g

Radiation pattern



Mechanical specifications:



Units in millimeters

Product codes for ordering

ADAN-CP11	FF	-	CCC	-	mmm	
						FF = frequency band
	EU					865,6 MHz - 867,6 MHz
	US					902,0 MHz - 928,0 MHz
						Connector type
			SMA			SMA connector
						Model
					200	Model number

Examples:

ADAN-CP11EU-SMA-200:

- Advantenna-CP11
- Frequency band : 865,6 MHz - 867,6 MHz
- **SMA** connector
- Model **200**



Copyright © Keonn Technologies S.L.
All rights reserved.

Information in this publication
supersedes all earlier versions.
Specifications subject to change
without notice.

